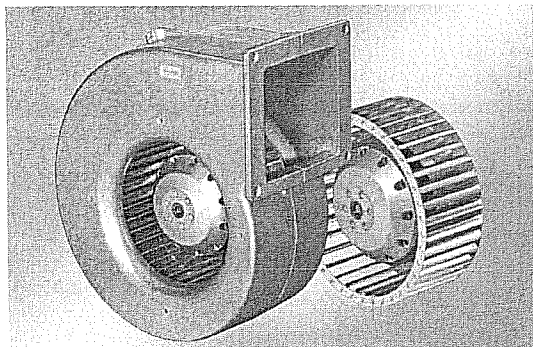


# AC centrifugal blowers and fans

single inlet, Ø 140



- **Material:** scroll housing made of die-cast aluminium, impeller made of galvanised sheet steel
- **Type of protection:** IP 44
- **Approvals:** CE

ebm-papst · Muldingen

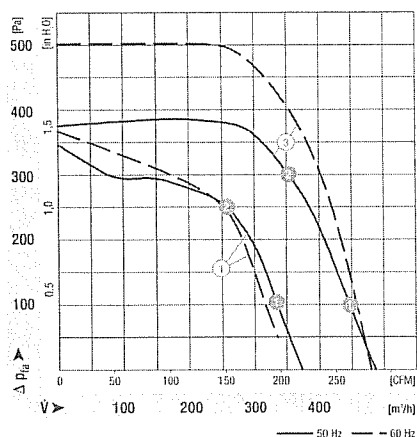
Nominal data		Characteristic	Nominal voltage	Frequency	Air flow	Speed/rpm	Power input	Current draw	Capacitor	Sound pressure level	Min. back pressure	Perm. amb. temp.	Mass	Electr. connection
Type	Motor		VAC	Hz	m³/h	min⁻¹	W	A	µF/VDB	dB(A)	Pa	°C	kg	
G2E 140-AE77 -01	M2E 068-BF	①	230	50	370	1400	105	0,46	2,0/450	59	0	-25..+40	2,6	1a)
R2E 140-AE77 -05			230	60	335	1500	115	0,51	2,0/450	57	50	-25..+45	1,2	
G2E 140-AL40 -01	M2E 068-CF	②	230	50	385	1650	135	0,60	2,0/400	63	0	-25..+55	3,0	1a)
R2E 140-AL40 -05			230	60	305	1700	145	0,64	2,0/400	60	100	-25..+40	1,7	
G2E 140-AI28 -01	M2E 068-DF	③	230	50	485	2400	160	0,70	4,0/400	72	0	-25..+70	2,6	1a)
R2E 140-AI28 -05			230	60	480	2350	205	0,90	4,0/400	71	0	-25..+45	2,1	

subject to alterations

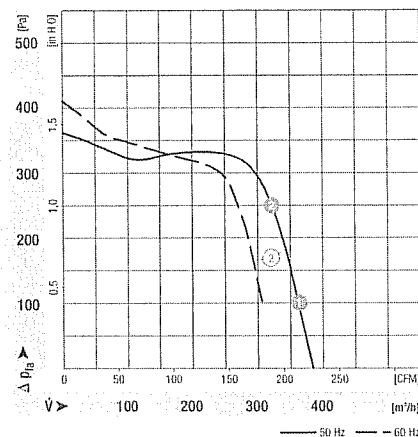
	n [min⁻¹]	P <sub>1</sub> [W]
① ①	1700	98
① ②	2100	89
② ①	2485	148
② ②	2630	128

	n [min⁻¹]	P <sub>1</sub> [W]
① ③	1900	128
③ ②	2200	117

Characteristics



Characteristics



Dimensions

Type	d	e
G2E 140-AE77 -01	63	15
R2E 140-AE77 -05		
G2E 140-AL40 -01	73	25
R2E 140-AL40 -05		
G2E 140-AI28 -01	83	35
R2E 140-AI28 -05		

